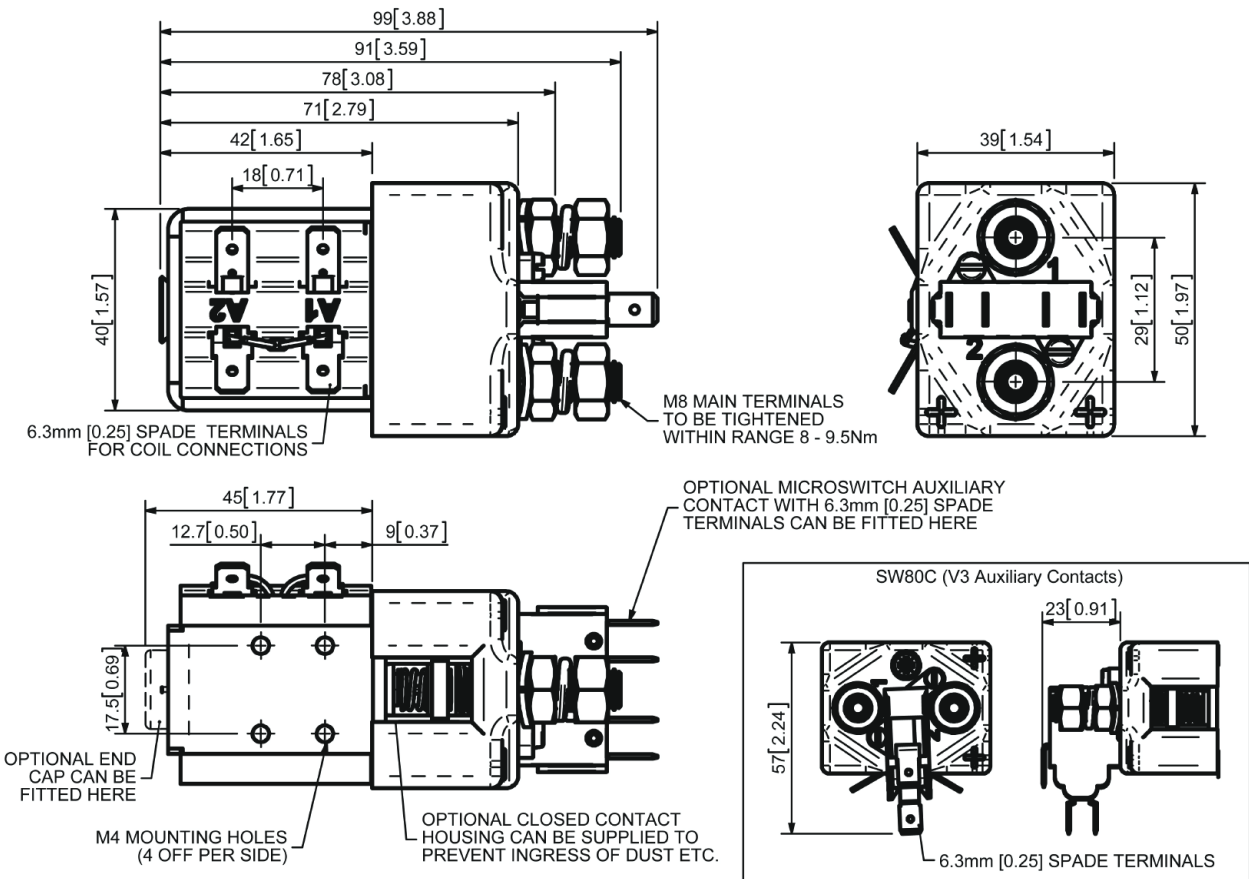


The SW80 has been designed for direct current loads, including motors as used on electric vehicles such as industrial trucks, and telecom and power distribution applications. Developed for both interrupted and uninterrupted loads, the SW80 is suitable for switching Resistive, Capacitive and Inductive loads.

- Interrupted current: opening and closing on load with frequent switching (results in increased contact resistance).
- Uninterrupted current: no or infrequent load switching requirements (maintains a lower contact resistance).

The SW80 features single pole double breaking main contacts with silver alloy tips, which are weld resistant, hard wearing and have excellent conductivity. The SW80 has M8 stud main terminals and 6.3mm spade coil connections. Mounting is via M4 tapped holes or mounting brackets, either supplied fitted, or as separate items. Mounting can be horizontal or vertical, when vertical the M8 contact studs should point upwards. If the requirement is for downwards orientation we can adjust the contactor to compensate for this.

DIMENSIONS mm [in]



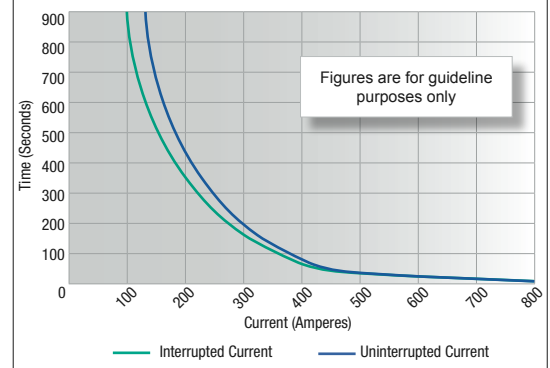
MODEL SW80

SPECIFICATIONS

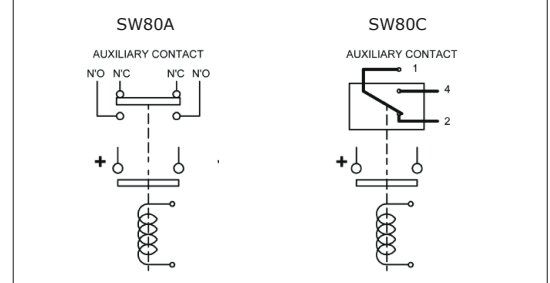
Application	Interrupted	Uninterrupted
Thermal Current Rating (I_{th})	100A	125A
Intermittent Current Rating:		
30% Duty	185A	230A
40% Duty	160A	200A
50% Duty	140A	175A
60% Duty	130A	160A
70% Duty	120A	150A
Rated Fault Current Breaking Capacity (I_{cn}) 5ms Time Constant: (in accordance with UL583)		
SW80	800A at 48V	
SW80B	800A at 80V	
Rated Fault Current Breaking Capacity (I_{cn}) Resistive Load: (in accordance with UL583)		
SW80	190A at 60V D.C.	
SW80B	190A at 96V D.C.	
Maximum Recommended Contact Voltages (U_p):		
SW80	48V D.C.	60V D.C.
SW80B	96V D.C.	
Typical Voltage Drop per pole across New Contacts at 100A	40mV	
Mechanical M.T.B.F	$>5 \times 10^6$	
Coil Voltage Available (U_S) (Rectifier board required for A.C.)	From 6 to 240V D.C.	
Coil Power Dissipation:		
Highly Intermittent Rated Types	20 – 30 Watts	
Intermittently Rated types	15 – 20 Watts	
Prolonged Rated Types	13 – 15 Watts	
Continuously Rated Types	7 – 13 Watts	
Maximum Pull-In Voltage (Coil at 20° C) Guideline:		
Highly Intermittent Rated types (Max 25% Duty Cycle)	60% U_S	
Intermittently Rated types (Max 70% Duty Cycle)	60% U_S	
Prolonged Operation (Max 90% Duty Cycle)	60% U_S	
Continuously Rated Types (100% Duty Cycle)	66% U_S	
Drop-Out Voltage Range	10 – 25% U_S	
Typical Pull-In Time	20ms	
Typical Drop-Out Time (N/O Contacts to Open):		
Without Suppression	5ms	
With Diode Suppression	50ms	
With Diode and Resistor (Subject to resistance value)	8 – 20ms	
Typical Contact Bounce Period	3ms	
Operating Ambient Temperature	-40°C to +60°C	
Guideline Contactor Weight:		
SW80	350 gms	
With Auxiliary	+ 20 gms	
With Blowouts	+ 50 gms	
Auxiliary Thermal Current Rating	5A	
Auxiliary Contact Switching Capabilities (Resistive Load):		
SW80A & SW80C	5A at 24V D.C.	
SW80A & SW80C	2A at 48V D.C.	
SW80A & SW80C	0.5A at 240V D.C.	
Advised Connection Sizes for Maximum Continuous Current:		
Copper busbar	80mm ² [0.124inch ²]	
Cable	Rated suitable for Application	

NOTE: Performance data provided should be used as a guide only. Some de-rating or variation from figures may be necessary according to application. Thermal current ratings stated are dependant upon the size of conductor being used.

SW80 Contactor Performance



Connection Diagram



SW80 Available Options

General		Suffix
Auxiliary Contacts	○	A
Auxiliary Contacts – V3	○	C
Magnetic Blowouts†	○	B
Magnetic Blowouts – High Powered†	○	B
Armature Cap	○	
Mounting Brackets	○	
Magnetic Latching† (Not fail safe)	○	M
Closed Contact Housing‡	○	
Environmentally Protected IP66	○	P
EE Type (Steel Shroud)	○	EE
Contacts		
Large Tips	○	L
Textured Tips	○	T
Silver Plating	X	
Coil		
AC Rectifier Board (Fitted)	○	
Coil Suppression†	○	
Flying Leads	○	F
Manual Override Operation	○	
M4 Stud Terminals	X	
M5 Terminal Board	○	
Vacuum Impregnation	○	

Key: Optional ○ Standard ● Not Available X

† Connections become polarity sensitive

‡ Open Housing Available



is a trademark of Curtis Instruments, Inc.

Specifications subject to change without notice

©2013 Curtis Instruments, Inc.

50247AL REV A 9/13

Manufactured in the UK by Albright International Ltd. and Distributed in the USA by Curtis Instruments, Inc.