

Contactors in Busbar Series

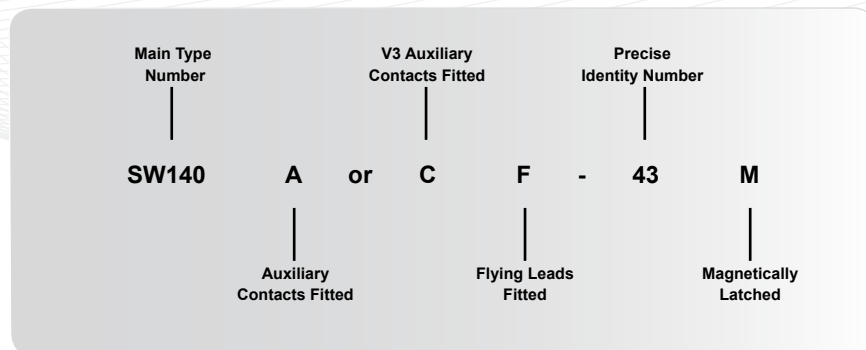
Current	Configuration	Type
140	Single Pole Single Throw 1U	SW140
150	Single Pole Single Throw	SW150
225	Single Pole Single Throw 1U	SW225
250	Single Pole Single Throw	SW250
300	Single Pole Single Throw	SW260 ¹
300	Single Pole Single Throw	SW300
300	Single Pole Single Throw 1U	SW301
400	Single Pole Single Throw	SW400
500	Single Pole Single Throw	SW500
500	Double Pole Single Throw	SW520
600	Single Pole Single Throw	SW560
600	Single Pole Single Throw	SW600 ²
800	Single Pole Single Throw	SW800
800	Single Pole Double Throw	SW802
1200	Single Pole Single Throw	SW1000
1200	Single Pole Double Throw	SW1002
1800	Single Pole Single Throw	SW1500
1800	Single Pole Double Throw	SW1502
2000	Single Pole Single Throw	SW2000
2400	Single Pole Single Throw	SW2400

Introducing the Busbar Series of Contactors

A unique range of heavy duty contactors designed for use within the Telecommunications market or for applications with Uninterrupted Direct Current loads. An Uninterrupted current is when a switch has no or limited load switching requirements and maintains a lower contact resistance. Our busbar contactors feature double breaking main contacts with silver alloy contact tips, which are weld resistant, hard wearing and have excellent conductivity. Furthermore, they are not polarity sensitive and therefore can be used for switching A.C. currents. Electrical connections follow industry standards, with 4.7mm or 6.3mm spades or alternatively flying leads. Main fixed contact connection is by means of suitable bolt holes.

Albright Busbar Contactor Part Number

Our Busbar series is divided into types based on thermal current specification which are comprised of contactors grouped according to their configuration e.g. Single Pole, Single Throw. The part number is completed by a unique identity number and the specification of the contactor indicated by a letter suffix. The diagram below details the options and associated suffixes which are relevant to the busbar range.

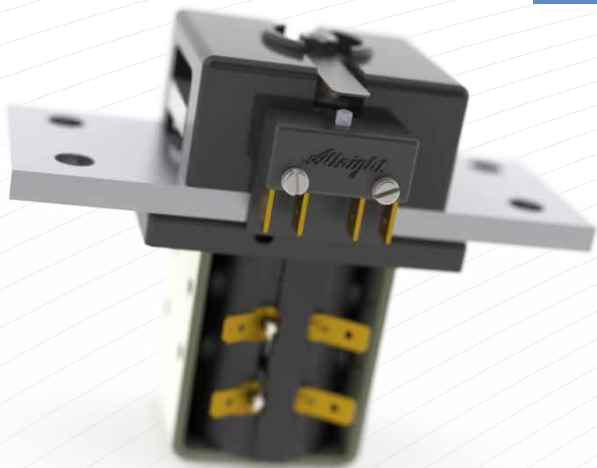


Note: Not all options are available for every contactor type, please see table on page 2 for details.



¹ Replaced by SW300 for new applications

² Replaced by SW560 for new applications



Operating Coils

Coil voltages ranging from 6 to 240v are available which are wound for D.C. operation. However, the majority of coils can be fitted with a bridge rectifier for use with A.C. supplies. Coils are wound with pull-in voltages (coils at 20°C) approximately 66% of the rated voltage (Continuous) or 60% (Prolonged, Intermittent Or Very Intermittent), and drop-out voltage nominally greater than 10% of the rated voltage. Variations from these pull-in and drop-out figures can be engineered to suit particular applications.

Coil Ratings Terminology

Continuous (CO):

- 100% duty cycle. Continuous operation. Weakest power coil dictating that a weaker, when compared to the intermittent equivalent, return spring is used. This does not give the best switching characteristics for applications switching frequently on load.

Intermittent (INT):

- Up to 70% duty cycle, up to 15 minutes continuous energisation. High power in coil allowing strong return spring to be used, giving good switching characteristics. Typically this rating is used with magnetic latching contactors.

Prolonged (PO):

- Up to 90% duty cycle, up to 54 minutes continuous energisation. Coil is more powerful than continuous, weaker than intermittent equivalent. The return spring is stronger than continuous but weaker than intermittent.

Highly Intermittent (HO):

- Up to 25% duty cycle, up to 3 minutes continuous energisation. Highest power in coil allowing strongest return spring to be used, giving good switching characteristics.

Summary of Options Available

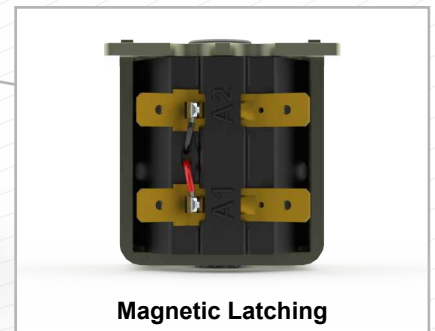
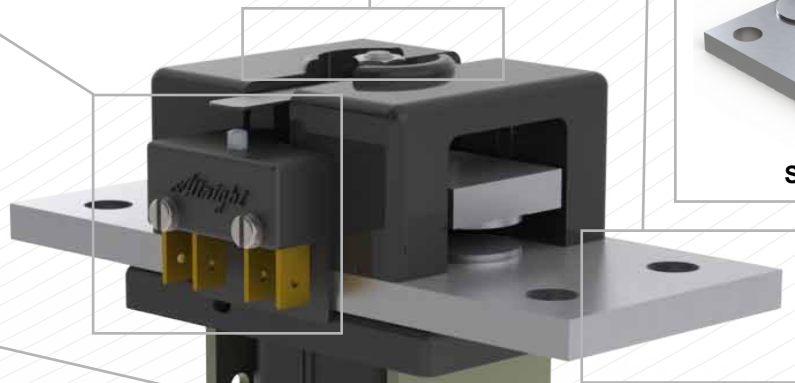
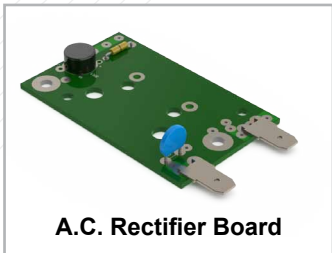
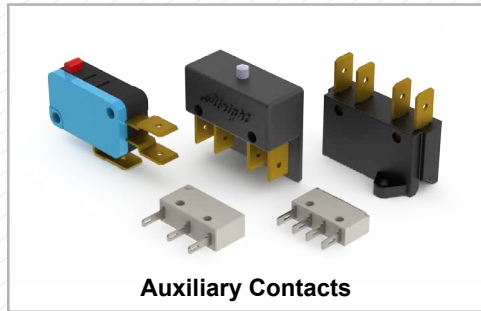
Contactor Type	General Options				Contact Options	Coil Options					
	Auxiliary Contacts 'A'	V3 Auxiliary Contacts 'C'	Mounting Brackets	Magnetic Latching 'M' ¹	Silver Plating on Contacts ²	AC Rectifier Board	Coil Suppression ¹	Flying Leads 'F'	Manual Override Operation	M5 Terminal Board	Vacuum Impregnation
SW140	○	X	●	○	○	X	○	●	○	X	○
SW150	○	○	○	○	○	○	○	○	○	○	○
SW225	○	X	●	○	○	X	○	●	○	X	○
SW250	○	○	○	○	○	○	○	○	○	○	○
SW260	○	○	○	○	○	○	○	○	○	X	○
SW300	○	○	○	○	○	○	○	○	○	○	○
SW301	○	X	●	○	○	X	○	●	○	X	○
SW400	○	○	○	○	○	○	○	○	○	○	○
SW500	○	○	○	○	○	○	○	○	○	X	○
SW520	○	○	○	○	○	○	○	○	○	X	○
SW560	○	○	○	○	○	○	○	○	○	X	○
SW600	○	○	○	○	○	○	○	○	○	X	○
SW602	○	○	○	○	○	○	○	○	○	X	○
SW800	○	○	○	○	○	○	○	○	○	X	○
SW802	○	○	○	○	○	○	○	○	○	X	○
SW1000	○	○	○	○	○	○	○	○	○	X	○
SW1002	○	○	○	○	○	○	○	○	○	X	○
SW1500	○	○	○	○	○	○	○	○	○	X	○
SW1502	○	○	○	○	○	○	○	○	○	X	○
SW2000	○	○	○	○	○	○	○	○	○	X	○
SW2400	○	○	○	○	○	○	○	○	○	X	○

Key: Optional ○ Standard ● Not Available X

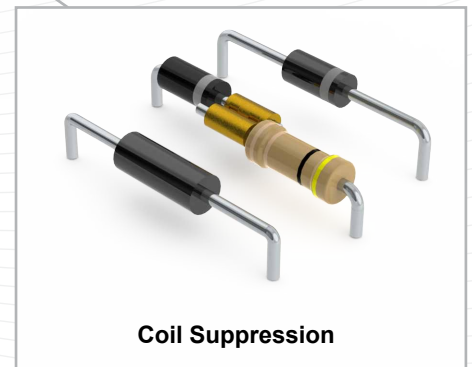
¹ Coil connection becomes polarity sensitive, ² Fitted as standard

Busbar Options

The options featured are available for the Busbar contactor range. For full descriptions, please refer to our Product Range catalogue or web site glossary.



Flying Leads fitted as standard for SW140, SW225 and SW301

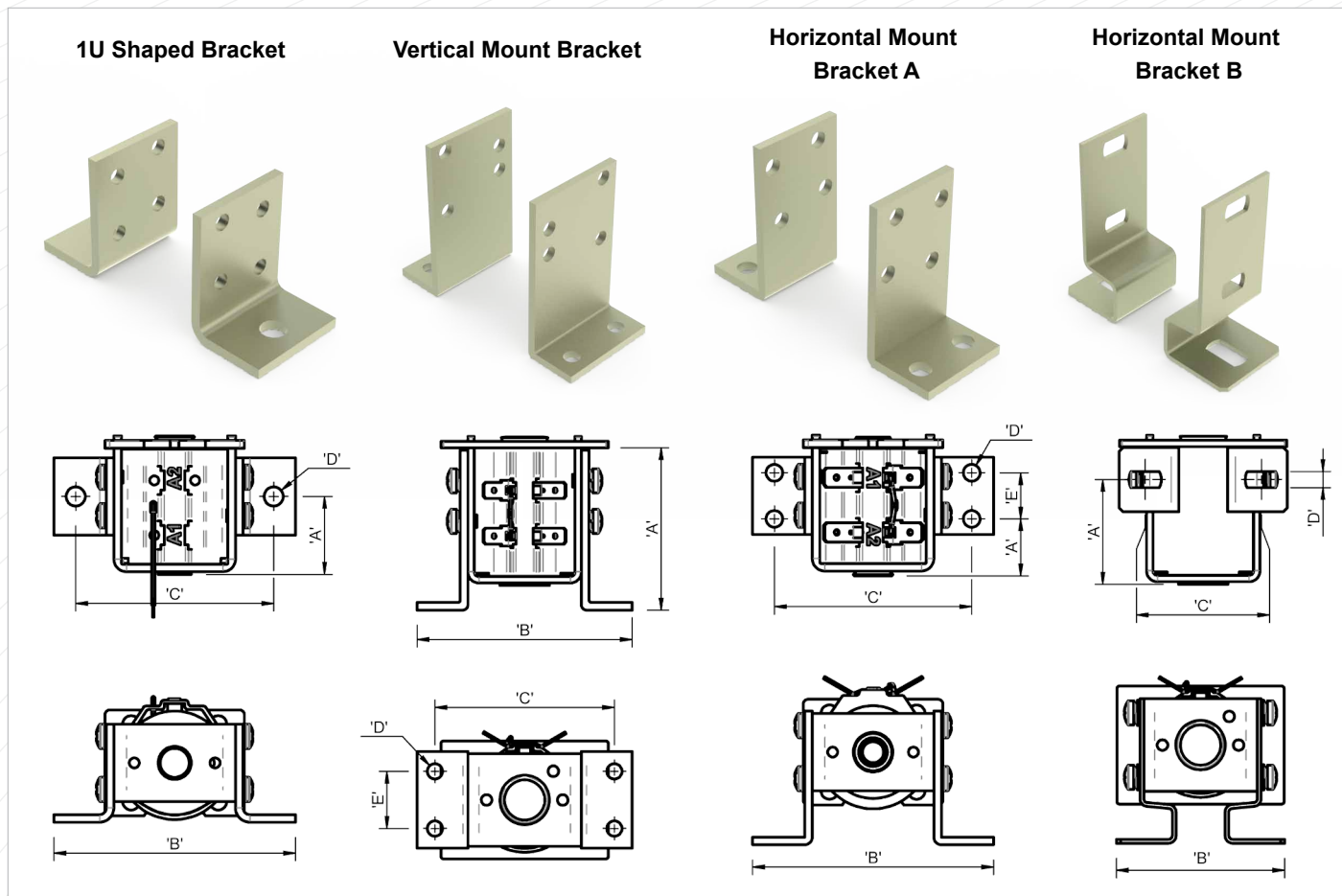


Please refer to table opposite for available options for each type

Albright International Busbar Series

Mounting Bracket Options

Our busbar contactors can be mounted vertically or horizontally, but if vertically then the coils should be at the bottom. Mounting is by means of tapped holes in the switch frame or with a range of mounting brackets (complete with screws and washers). In the event that these would not be suitable Albright can design and manufacture customer specific solutions. The mounting bracket options are detailed as per below.



Bracket Dimensions

Contactor Type: SW140, SW150, SW225, SW250, SW300						
1U Shaped Bracket*		Vertical Mount Bracket		Horizontal Mount Bracket A		
		Part Number 2070-40		Part Number 2072-477		
	mm	inches	mm	inches	mm	inches
A	25.3	0.99	47	1.85	18.7	0.73
B	79	3.11	79	3.11	79	3.11
C	65	2.56	65	2.56	64.8	2.55
D	Ø6.3	Ø0.25	Ø5.5	Ø0.21	Ø5.5	Ø0.21
E	-	-	15.1	0.59	15.1	0.59

* Fitted as standard (applicable only for SW140, SW225 and SW301)

Contactor Type: SW600, SW800						
1U Shaped bracket		Vertical Mount Bracket		Horizontal Mount Bracket B		
		Part Number 2155-165		Part Number 2065-167A		
	mm	inches	mm	inches	mm	inches
A	-	-	72	2.83	51	2.00
B	-	-	98	3.85	80	31.5
C	-	-	84.4	3.32	59.5	2.34
D	-	-	Ø6.0	Ø0.23	Ø6.3	Ø0.25
E	-	-	22.5	0.88	-	-

Contactor Type: SW260, SW400, SW500, SW560						
1U Shaped Bracket		Vertical Mount Bracket		Horizontal Mount Bracket B		
		Part Number 2155-165		Part Number 2065-167A		
	mm	inches	mm	inches	mm	inches
A	-	-	64	2.52	41	1.61
B	-	-	85	3.34	66	2.60
C	-	-	70.7	2.78	45.8	1.80
D	-	-	Ø6.0	Ø0.23	Ø6.3	Ø0.25
E	-	-	22.5	0.88	-	-

Contactor Type: SW1000, SW1500, SW2000, SW2400						
1U Shaped Bracket		Vertical Mount Bracket		Horizontal Mount Bracket		
		Part Number 2800-38				
	mm	inches	mm	inches	mm	inches
A	-	-	98	3.85	-	-
B	-	-	135	5.31	-	-
C	-	-	106.7	4.20	-	-
D	-	-	Ø6.3	Ø0.25	-	-
E	-	-	22.5	0.88	-	-

Please Note: All bracket kits include screws and washers. Brackets can be supplied separately or fitted to contactor at point of manufacture. CAD Data available on request.