

Williams Controls Electronic Floor Pedal, Multi Angle WM-537

Call FlenTek Solutions
Quote or Technical Support 678-567-9563 or sales@flentek.net

The Electronic Floor Pedal WM-537 is designed for all commercial vehicle applications.

The WM-537 is equipped with a Hall-effect, non-contact sensor that can be programmed for analog output and/or integrated switches. The electronics are IP67 sealed and highly EMI resistant (SAE J1113). In addition, the unit can be customized with contact or PWM output sensors.

The WM-537 is available in three treadle angles: 30, 37.5 and 45 degrees. The base plate has five mounting holes for various mounting options.

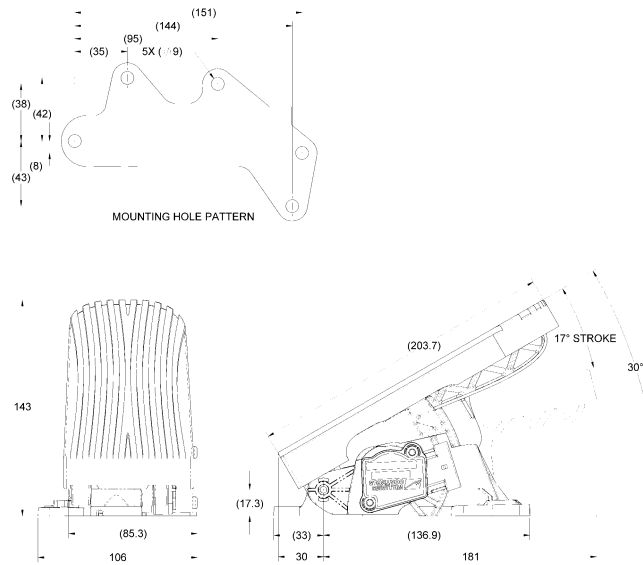
This unit is made out of high strength engineered plastics and the treadle is supplied with a rubber cover for improved foot traction.



SPECIFICATIONS

PRODUCT LIFE	Full Travel Cycles	3,000,000
ELECTRONICS	Seal Integrity EMI	Electronics IP67 sealed (IEC 60529) SAE J1113 Compliant
ELECTRICAL	Operating Voltage Output Signal	5V and 12V-24V Dual APS, Dual PWM, APS, PWM, APS/IVS
PEDAL ANGLE	Degrees	30°, 37.5°, 45°
MECHANICAL	Static Load Vibration	1500N 3 hour, 3-axis, random broadband up to 4g
ENVIRONMENTAL	Operating Temp Range Storage Temp Range Humidity Sand/Dust	-40°C to 85°C -40°C to 85°C 95% RH for 120 hours, 27°C to 75°C Tested to SAE J1455
MATERIALS	Main Body Mounting Plate Treadle Cover	Composite Plastic Composite Plastic NBR Rubber

MECHANICAL DIMENSIONS (mm)



TYPICAL OUTPUT CHARACTERISTICS (other outputs are available)

