

Williams Controls Electronic Suspended Pedal WM-540

The WM-540 electronic suspended pedal is firewall mounted and designed to provide an electrical signal to an engine control module in response to the operator's demand for engine power.

The WM-540 is equipped with a Hall-effect, non-contact sensor that can be programmed for analog output and/or integrated switches. The electronics are IP67 sealed and highly EMI resistant (SAE J1113). In addition, the unit can be customized with contact or PWM output sensors.

The robust design includes corrosion resistant cast aluminum housing and a coated steel mounting bracket. Brackets can be modified to meet different mounting requirements.

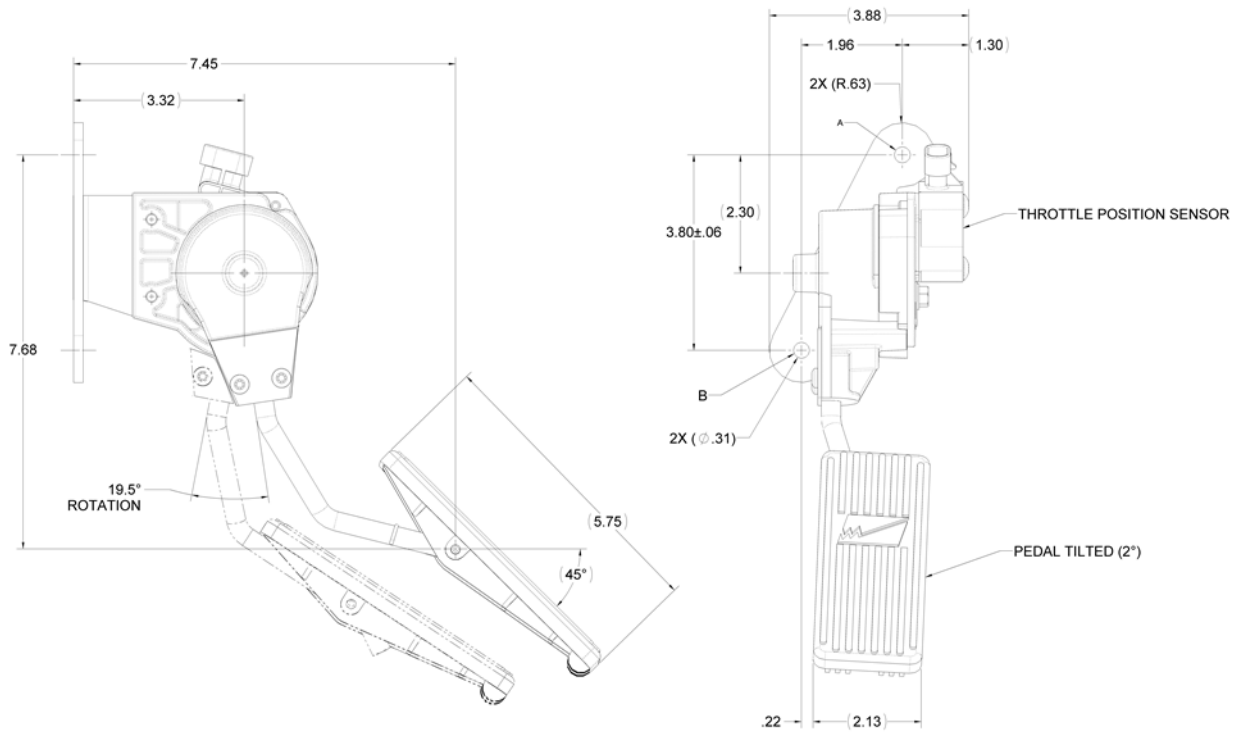
Standard bent steel lever rods can accommodate a variety of pedal placements, and a customized 3/16" steel plate lever is available for high static load requirements.



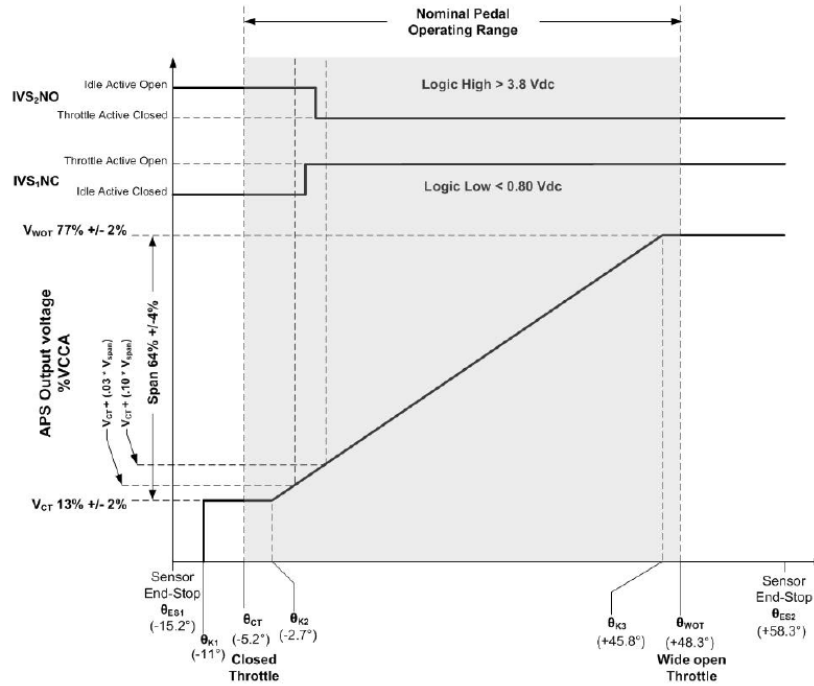
SPECIFICATIONS

PRODUCT LIFE	Full Travel Cycles	5,000,000
ELECTRONICS	Seal Integrity EMI	Electronics IP67 sealed (IEC 60529) SAE J1113 Compliant
ELECTRICAL	Operating Voltage Output Signal	5V and 12V-24V Dual APS, Dual PWM, APS, PWM, APS/IVS
PEDAL ANGLE	Degrees Operating force	19.5° Angular Rotation Neutral = 55N, Full Travel = 75N
MECHANICAL	Static Load Vibration	1500N 3 hour, 3-axis, random broadband up to 4g
ENVIRONMENTAL	Operating Temp Range Storage Temp Range Humidity Sand/Dust	-40°C to 85°C -40°C to 85°C 95% RH for 120 hours, 27°C to 75°C Tested to SAE J1455
MATERIALS	Foot treadle & base plate Treadle cover Body castings	Corrosion Resistant Plated Steel NBR Rubber Die-cast Aluminum

MECHANICAL DIMENSIONS (mm)



TYPICAL OUTPUT CHARACTERISTICS (other outputs are available)



© 2014 Curtiss-Wright. All rights reserved. Specifications are subject to change without notice.
All trademarks are property of their respective owners.

WM540-11/14



USA
Portland
Oregon
T: +1.509.684.8600
F: +1.503.684.3879
cwig.us@curtisswright.com
www.cw-industrialgroup.com

Europe
Christchurch
United Kingdom
T: +44.1425.271444
F: +44.1425.272655
cwig.uk@curtisswright.com
www.cw-industrialgroup.com

Asia
Shanghai
China
T: +86.213.3310670
cwig.cn@curtisswright.com
www.cw-industrialgroup.com