

Williams Controls Electronic Suspended Pedal WM-542

Call FlenTek Solutions
For Quote or Technical support call 678-567-9563 or sales@flentek.net

The Electronic Suspended Pedal WM-542 is designed for commercial and industrial vehicle applications.

The unit is equipped with a Hall-effect, non-contact sensor that can be programmed for analog output and/or integrated switches. The electronics are IP67 sealed and highly EMI resistant (SAE J1113). In addition, the unit can be customized with contact or PWM output sensors.

The Electronic Suspended Pedal WM-542 is available with a nominal 20 degree angular rotation. The Throttle Control has a glass filled nylon body and lever arm. The mounting bracket is made out of coated steel.

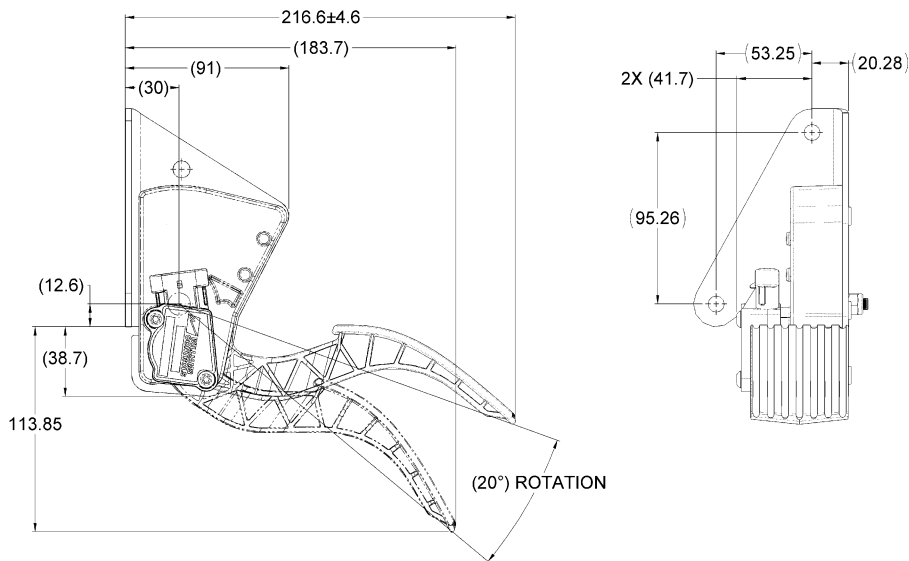
Both lever arm and bracket can be customized for customer requirements.



SPECIFICATIONS

PRODUCT LIFE	Full Travel Cycles	3,000,000
ELECTRONICS	Seal Integrity EMI	Electronics IP67 sealed (IEC 60529) SAE J1113 Compliant
ELECTRICAL	Operating Voltage Output Signal	5V and 12V-24V Dual APS, Dual PWM, APS, PWM, APS/IVS
PEDAL ANGLE	Degrees	20° nominal
MECHANICAL	Static Load Vibration	667N 3 hour, 3-axis, random broadband up to 4g
ENVIRONMENTAL	Operating Temp Range Storage Temp Range Humidity Sand/Dust	-40°C to 85°C -40°C to 85°C 95% RH for 120 hours, 27°C to 75°C Tested to SAE J1455
MATERIALS	Main Body Mounting Plate Treadle Cover	Composite Plastic Coated Steel Composite Plastic

MECHANICAL DIMENSIONS (mm)



TYPICAL OUTPUT CHARACTERISTICS (other outputs are available)

