

ELECTRONIC THROTTLE



MODEL ET-160

FEATURES

- ◆ Hall effect sensors and solid state MOSFET contactor drivers minimize moving parts, thereby increasing reliability and Mean Time Between Failure.
- ◆ Symmetrical throttle response in both forward and reverse directions ensures smooth, concise acceleration and deceleration in both directions.
- ◆ Minimal deadband areas at both zero and full throttle positions eliminate hesitation when beginning to accelerate or decelerate.
- ◆ Environmental protection of major components through an epoxy layer over the circuit board assures operation in harsh environmental conditions.
- ◆ Wig-wag type throttle returns the throttle to neutral for convenience and safety.
- ◆ Input polarity protection to ensure no damage occurs to the throttle if it is incorrectly wired.
- ◆ Easy to install.

SPECIFICATIONS

- ◆ Operating voltage: 13 - 58 VDC
- ◆ Throttle output range: 0 to 4.8 Volts
- ◆ Maximum throttle output: 5.1 Volts
- ◆ Minimum throttle output: 0 Volts
- ◆ Forward/Reverse current: 1.5 amp max
- ◆ Symmetrical throttle response in both directions
- ◆ Maximum deadband at zero throttle: 10 degrees
- ◆ Maximum deadband at full throttle: 10 degrees

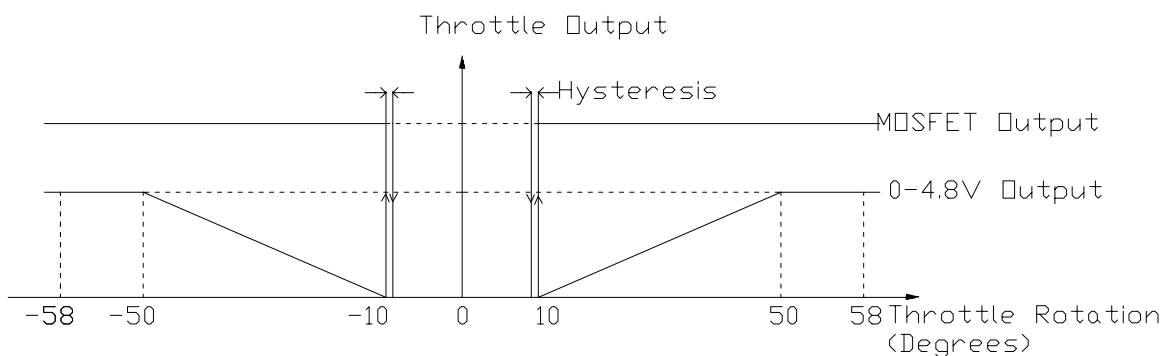
(Detail see below chart)

DESCRIPTION

The Curtis electronic throttle provides an analog 0-4.8V output proportional to throttle position for interfacing with motor speed controllers.

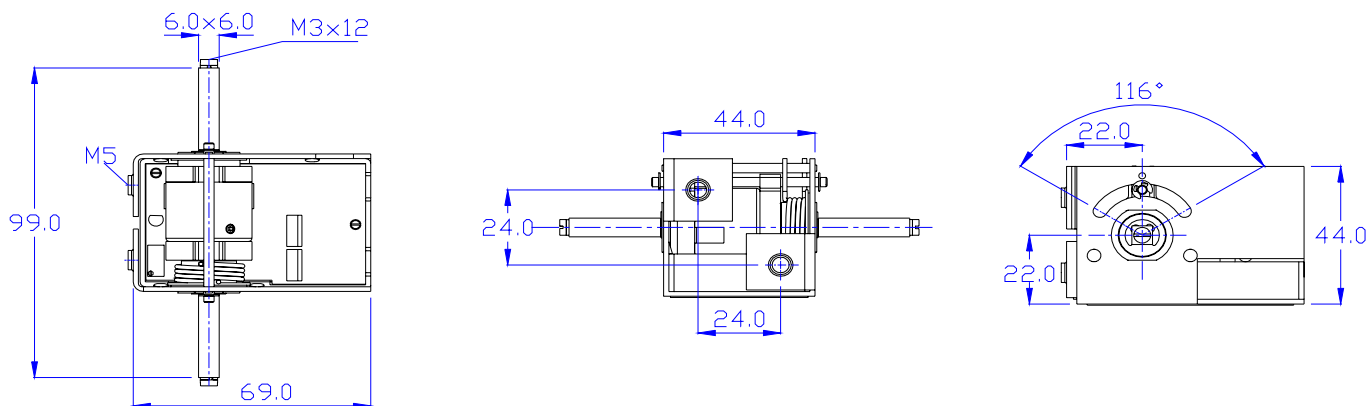
APPLICATION

These throttles are ideal for use in material handling, golf cars, on-road and other electric vehicle applications which require a 0-4.8V input for speed control.



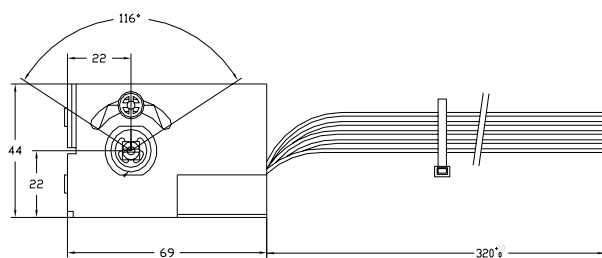
MODEL ET-160

DIMENSIONS mm



INSTALLATION Mounting: Two M5 screws

WIRING



1	POT LO -- ORANGE
2	B+ AFTER KSI -- GREEN
3	REV -- WHITE
4	FWD -- BLACK&WHITE
5	GND -- WHITE&BROWN
6	EMIGND-- WHITE&GREEN
7	0 – 4.8V -- BLACK

No connector provided

WARRANTY One year limited warranty from time of delivery.

Specifications subject to change without notice

P/N: 18130077-160 REV A 10/2005